



Shower enclosure, art. B4970CROTR  
 Shower tray, art. D4970S01  
 Shower system, art. YA2016.100CRO

The shower accessories have being designed exclusively by **samo**

*Large shower box characterised by the dedicated access area and by the fixed rounded panel. The access area to the shower is free, without doors. Installation without shower tray is also possible: one lower strip allows the separation between the glass wall and the supporting surface.*



• **Brass finishing profiles:**  
**CRO** chrome

• **Tempered glass finishing panels:**  
**TR** transparent  
**TG** transparent Grey

# Rounded peninsula

Article	Height [cm]	Opening [cm]	Volume [dm <sup>3</sup> ]	Weight [kg]	Panels finishing	CRO
<b>B4970</b>	203	60	1069	72	TR TG	

Kit with N. 2 support brackets 60/70 cm. is included in the price.

## Kit optional

Article	Description	L01	ULU	SAS-A06-A40
KT4900	Vertical profile (floor-ceiling) (see pag. 53)			

Article	Description	Finishing	CRO
KT1000A1	Kit support bracket 100 cm. (WITH fixing elements wall / glass)	CRO	
KT1500	Kit support bracket 150 cm. (WITHOUT fixing elements wall / glass)	CRO	

## Shower-system optional

Article	Description	Height [cm]	Shower head Ø [cm]	Finishing	CRO
YA2015.100CRO	without mixer	85-128	20	CRO	
YA2016.100CRO	with mechanical mixer	85-128	20	CRO	
YA2017.100CRO	with thermostatic mixer	85-128	20	CRO	
YA1015.121CRO	with mechanical mixer	114	20x20	CRO-Stonecristal white	
YA3014.121CRO	with mechanical mixer	114	20	CRO-Stonecristal white	
YA4021.100CRO	with thermostatic mixer	113	40	CRO	
YA4022.100CRO	with thermostatic mixer	113	39	CRO	

Shower column and shower system, see page 334.

## Shower curtains optional

Article	Description	01	04	08	23
YA4890T	Silk Shantung curtains				

Available in: **01 White Sincero** - **04 Green Vivace** - **08 Sand Audace** - **23 Violet Spavaldo**, (see page 52).

## Shower tray optional

Article	Description	Maximum Overall [cm]	L01	S01
D4970	Shower tray	82x142		

Available in two different materials: **Methacrylate=L01/Stonecristal white=S01**.

Technical info: see on dedicated area.

## Wooden shower insert optional

Article	Description	Shower tray measures [cm]	Inside Measures [cm]	CL	WE	FG
KP4970	Wooden shower insert	82x142	70x130			

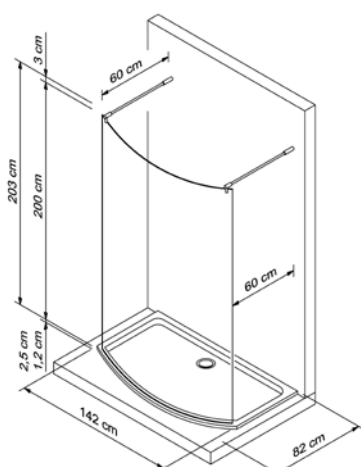
Technical info: see pages on dedicated area.



Installation is available upon request, please refer to the closest Service Centre

Packaging is composed of n° boxes: **1**

Sector	Delivery Ex Works
Sector A	1-2 Weeks
Sector B	3 Weeks
Sector C	4-5 Weeks
Sector N	bespoke and new products



B4970CROTG transparent Grey  
D4970S01