



Shower enclosure, art. B4985ULUTR
 Shower kit support with mixer, art. YA2020.100CRO
 Shower tray, art. D4981S01

Spacious shower enclosure, featured by dedicated access area and fixed panel. Shower access area can be totally free with opening 77 cm., with small single opening door at 180°. Possible installation also without shower tray: a lower gasket allows to isolate the glass panel from the supporting surface.



• **Aluminium finishing profiles:**

- ULU** brilliant chrome
- SAS** brushed satin
- A06** black Tentatore
- A40** dark bronze Fascinoso

• **Tempered glass finishing panels:**

- TR** transparent
- TG** transparent Grey
- TF** transparent with band
- FG** transparent Grey with band

Rectangular corner, fixed panel and pivot door

Article	Extension [cm]	Opening [cm]	Volume [dm³]	Weight [kg]	Panels finishing	ULU	SAS	A06	A40
B4987	75,5-77,5	77	204	53	TR				
					TG				
					TF				
					FG				
B4984	95,5-97,5	77	232	60	TR				
					TG				
					TF				
					FG				
B4985	115,5-117,5	77	262	69	TR				
					TG				
					TF				
					FG				
B4986	135,5-137,5	77	330	78	TR				
					TG				
					TF				
					FG				

Kit with N. 1 support brackets 80 cm. is included in the price. Finishes TF and FG: band only on fixed panel.
Hinges and Support bracket kit are always in finish CRO.

SPECIAL PRODUCTS

Request an estimate by enclosing a drawing and exact measurements: the Customers Office will be able to give confirmation on the feasibility of the article requested, including for projects different than those shown in the chart. It's necessary the confirmation of the order in writing.

Limits of measurements:

Fixed panel

Height max 203 cm. - min. 175 cm.

Width max 160 cm. - min. 70 cm.

Pivot door

Width max 50 cm. - min. 20 cm.

Lower width +20%	Standard price of reference	Greater width +30%	Greater width of 151 cm - Lower height+50%
Lower width - Lower height +30%	Lower height +20%	Greater width - Lower height +40%	

Kit optional

Article	Description	Finishing	CRO
KT1000A1	Kit support bracket 100 cm. (WITH fixing elements wall / glass)	CRO	
KT1500	Kit support bracket 150 cm. (WITHOUT fixing elements wall / glass)	CRO	

Shower curtains optional

Article	Description	01	04	08	23
YA4890T	Silk Shantung				

Available in: **01 White Sincero - 04 Green Vivace - 08 Sand Audace - 23 Violet Spavaldo**, (see page 52).

Shower tray optional

Article	Description	Maximum Overall [cm]	L01	S01
D4980	Shower tray	80x100		
D4981	Shower tray	80x120		
D4982	Shower tray	80x140		

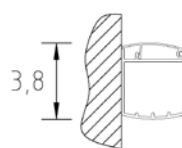
Shower-system optional (see page 334).



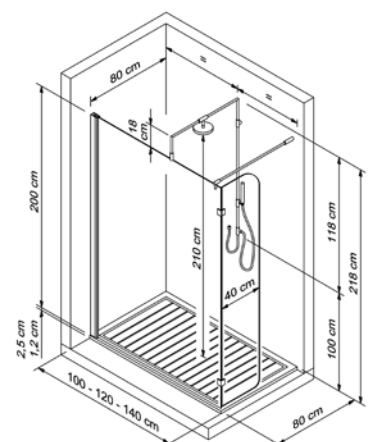
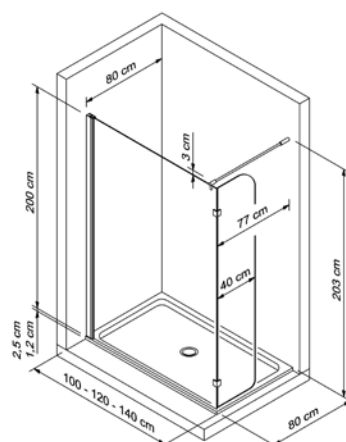
Installation is available upon request, please refer to the closest Service Centre

Packaging is composed of n° boxes: **2**

Sector	Delivery Ex Works
Sector A	1-2 Weeks
Sector B	3 Weeks
Sector C	4-5 Weeks
Sector N	bespoke and new products



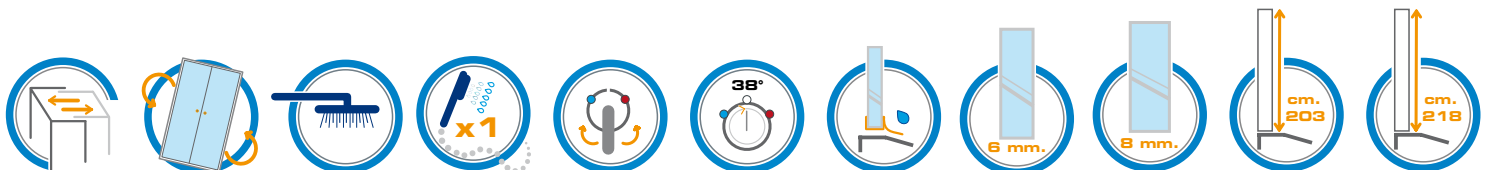
Wall profiles dimensions





Shower enclosure, art. B4982ULUTR
 Shower kit support with mixer, art. YA2020.100CRO
 Shower tray, art. D4982L01

Spacious shower enclosure, featured by dedicated access area and fixed panel. Shower access area can be totally free with opening 77 cm. Possible installation also without shower tray: a lower gasket allows to isolate the glass panel from the supporting surface.



• Aluminium finishing profiles:

- ULU** brilliant chrome
- SAS** brushed satin
- A06** black Tentatore
- A40** dark bronze Fascinoso

• Tempered glass finishing panels:

- TR** transparent
- TG** transparent Grey
- TF** transparent with band
- FG** transparent Grey with band

Fixed wall (8 mm.)

Article	Extension [cm]	Opening [cm]	Volume [dm ³]	Weight [kg]	Panels finishing	ULU	SAS	A06	A40
B4983	75,5-77,5	77	118	34	TR				
					TG				
					TF				
					FG				
B4980	95,5-97,5	77	149	44	TR				
					TG				
					TF				
					FG				
B4981	115,5-117,5	77	180	54	TR				
					TG				
					TF				
					FG				
B4982	135,5-137,5	77	246	64	TR				
					TG				
					TF				
					FG				

Kit with N. 1 support brackets 80 cm. is included in the price. **Support brackets kit always in chrome finish CRO.**

Pivot door (6 mm.)

Article	Extension [cm]	Opening [cm]	Volume [dm ³]	Weight [kg]	Panels finishing	ULU	SAS	A06	A40
B4980-B1	77-79	69	124	28	TR TG				
B4980-B2	87-89	79	139	35	TR TG				

SPECIAL PRODUCTS

Request an estimate by enclosing a drawing and exact measurements: the Customers Office will be able to give confirmation on the feasibility of the article requested, including for projects different than those shown in the chart. It's necessary the confirmation of the order in writing.

Limits of measurements:

Height max 203 cm. - min. 175 cm.

Width max 160 cm. - min. 70 cm.

Lower width +20%	Standard price of reference	Greater width +30%	Greater width of 151 cm- Lower height+50%
Lower width - Lower height +30%	Lower height +20%	Greater width - Lower height +40%	

Kit optional

Article	Description	ULU (€)	SAS-A06-A40 (€)
KT4900	Vertical profile (floor-ceiling) (see pag. 53)		

Article	Description	Finishing	CRO (€)
KT1000A1	Kit support bracket 100 cm. (WITH fixing elements wall / glass)	CRO	
KT1500	Kit support bracket 150 cm. (WITHOUT fixing elements wall / glass)	CRO	

Shower tray optional

Article	Description	Maximum Overall [cm]	L01 (€)	S01 (€)
D4980	Shower tray	80x100		
D4981	Shower tray	80x120		
D4982	Shower tray	80x140		

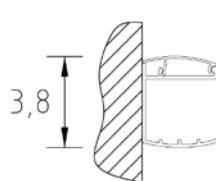
Shower-system optional (see page 52).

Shower curtains optional (see page 334).

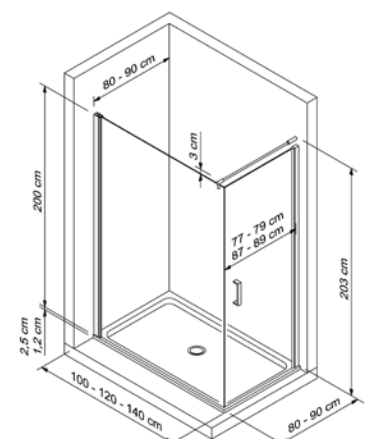
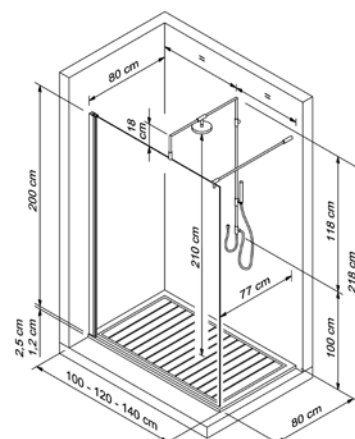


Installation is available upon request, please refer to the closest Service Centre

Packaging is composed of n° boxes: **1/2**



Wall profiles dimensions



Sector	Delivery Ex Works
Sector A	1-2 Weeks
Sector B	3 Weeks
Sector C	4-5 Weeks
Sector N	bespoke and new products