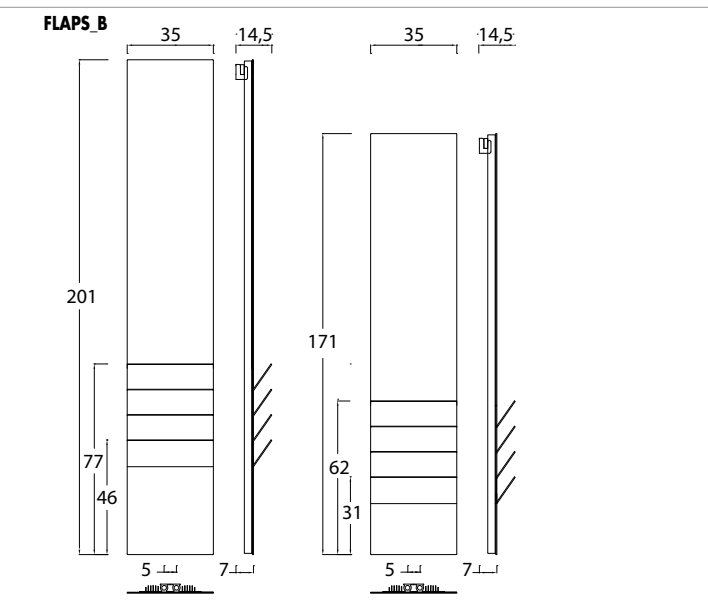
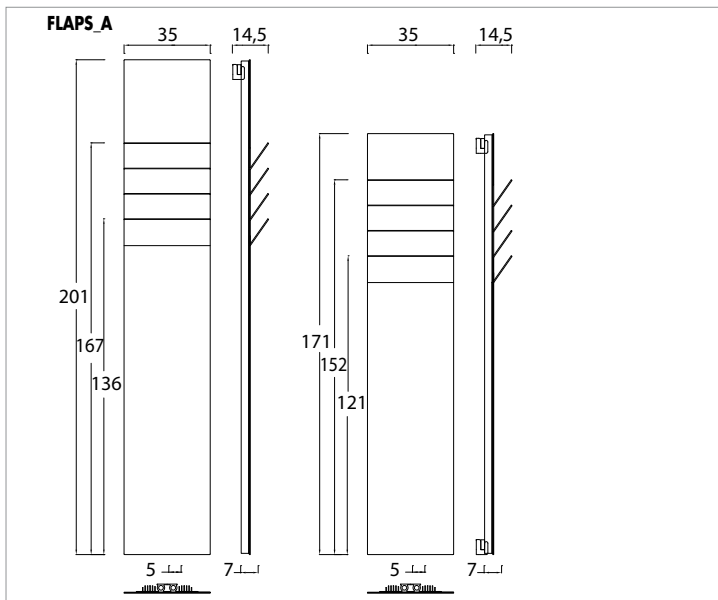


Flaps DESIGN VICTOR VASILEV



| A* | | B* | | I* | | art* | L* | BTU Δt 50° | watt Δt 50° | C1 | C2 | C1+C2 |
|---|------|----|------|----|-----|-------------------|-----|------------|-------------|------------|---------|------------|
| cm | in | cm | in | cm | in | | | | | • [BIAN] | AVC0591 | • [BIAN] |
| FLAPS_A acqua calda / hot water / eau chaude / warm Wasser / agua caliente | | | | | | | | | | | | |
| 171 | 67.3 | 35 | 13.8 | 5 | 2.0 | FPO0A170B | 1,2 | 1 962 | 575 | | | |
| 201 | 79.2 | 35 | 13.8 | 5 | 2.0 | FPO0A200B | 1,4 | 2 393 | 701 | | | |
| FLAPS_B acqua calda / hot water / eau chaude / warm Wasser / agua caliente | | | | | | | | | | | | |
| 171 | 67.3 | 35 | 13.8 | 5 | 2.0 | FPO0B170B | 1,2 | 1 962 | 575 | | | |
| 201 | 79.2 | 35 | 13.8 | 5 | 2.0 | FPO0B200B | 1,4 | 2 393 | 701 | | | |
| FLAPS_A etetrico / elettrico / électrique / elektrische / eléctrico | | | | | | | | | | watt | | |
| 171 | 67.3 | 35 | 13.8 | | | FPO0AE170B | | | 500 | | | |
| 201 | 79.2 | 35 | 13.8 | | | FPO0AE200B | | | 600 | | | |
| FLAPS_B etetrico / elettrico / électrique / elektrische / eléctrico | | | | | | | | | | watt | | |
| 171 | 67.3 | 35 | 13.8 | | | FPO0BE170B | | | 500 | | | |
| 201 | 79.2 | 35 | 13.8 | | | FPO0BE200B | | | 600 | | | |

art* **AVHCROM**

cronotermostato digitale per versione elettrica a radio frequenza / digital chronothermostat for electric version / chronothermostat digital pour version électrique avec radiofréquence / der digital Chronothermostat für elektrische Ausführung mit Radiofrequenz / cronotermostato digital para version electrica en radio frecuencia

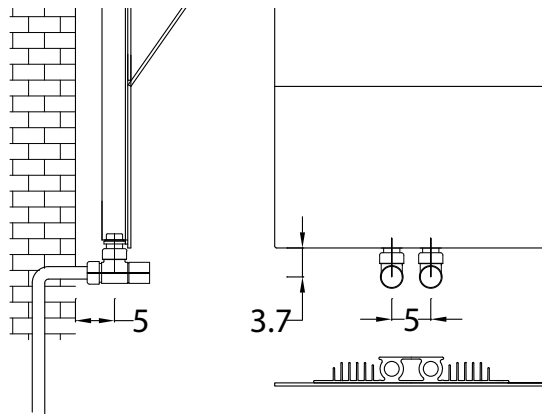
art* **AVHRICC**

ricevitore per cronotermostato digitale / receiver for digital chronothermostat / receveur pour chronothermostat digital / digital Chronothermostat Empfänger / receptor para cronotermostato digital

A* = altezza / height / hauteur / Höhe / alto B* = larghezza / width / longueur / Breite / ancho art* = articolo / model / modèle / Artikel / artículo P* = pagina / page / page / Seite / página
 I* = interasse / pipe centres / distance entre depart et retour / Achsabstand / distancia entre las conexiones
 L* = contenuto acqua / content / volume / Inhalt / volumen

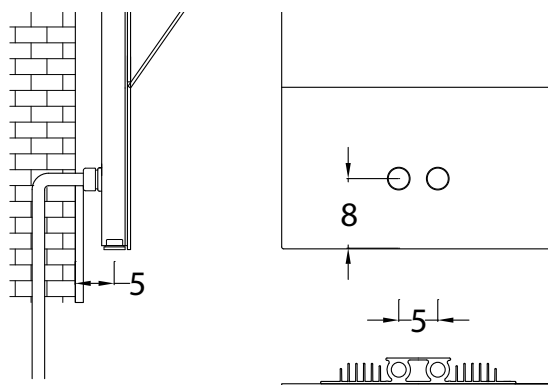
| | |
|---|---|
| <p>Colori/ colours / couleurs / Farbe / colores</p> <p>[BIAN] B standard T + 10% S + 20%</p> <p>[RAL] S + 20% RAL non inclusi in tabella special Ral colours couleurs Ral spéciales RAL Farbe nicht in der Tabelle inbegriffen colores RAL especiales</p> | <p>Kcal = Watt x 0.860 BTU = Watt x 3.413</p> <p>Watt Δt 60° = Watt Δt 50° x 1.277 Watt Δt 40° = Watt Δt 50° x 0.741 Watt Δt 30° = Watt Δt 50° x 0.504 Watt Δt 20° = Watt Δt 50° x 0.292</p> <p>p max = 6.5 bar</p> |
|---|---|

[A] attacco standard
 standart connection
 raccord standard
 standard Anschluss
 conexión estándar

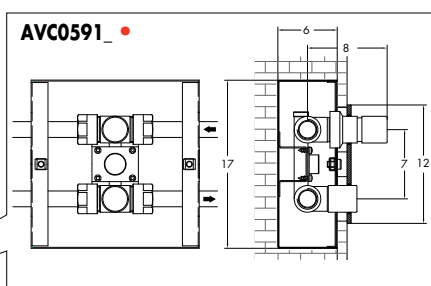
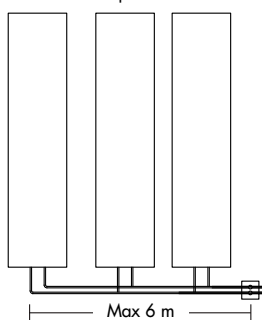


P* 120

[H] attacco speciale **SOVATTINC +•**
 special connection
 raccord spéciale
 speziell Anschluss
 conexión especial



Max 3 radiatori / Max 3 radiators
 Max 3 radiateurs / Max 3 radiadores
 Max 3 Heizkörper



ari*

ACAPFP

Porta accappatoio (1 pz) / towel hook / crochet / das Bügel / percha

